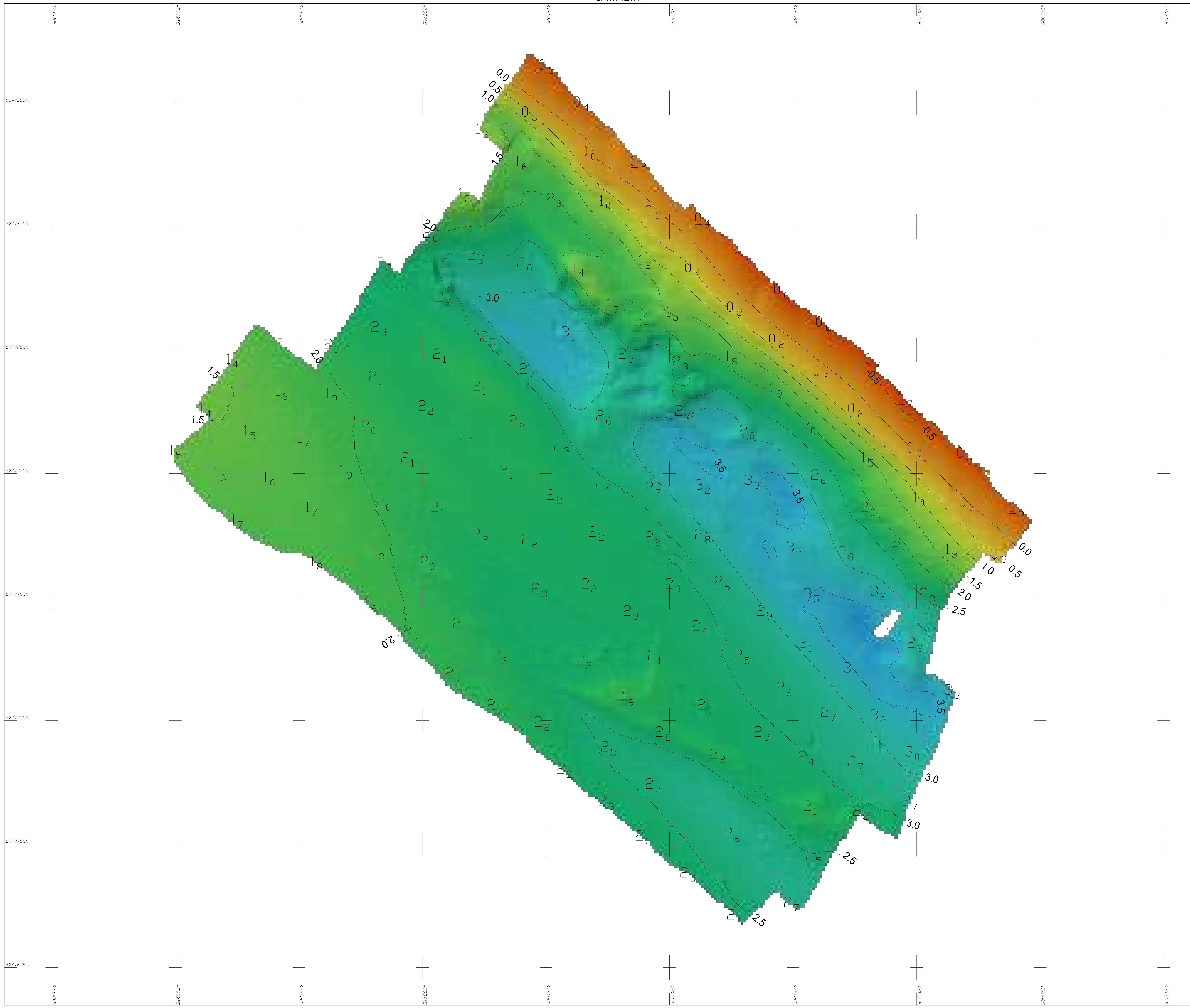


BATHYMETRY



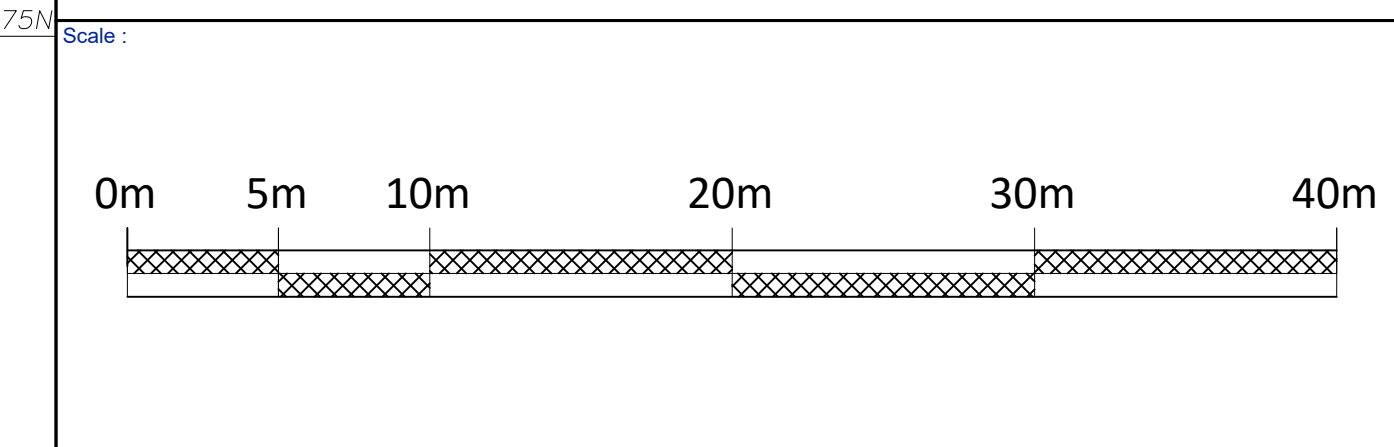
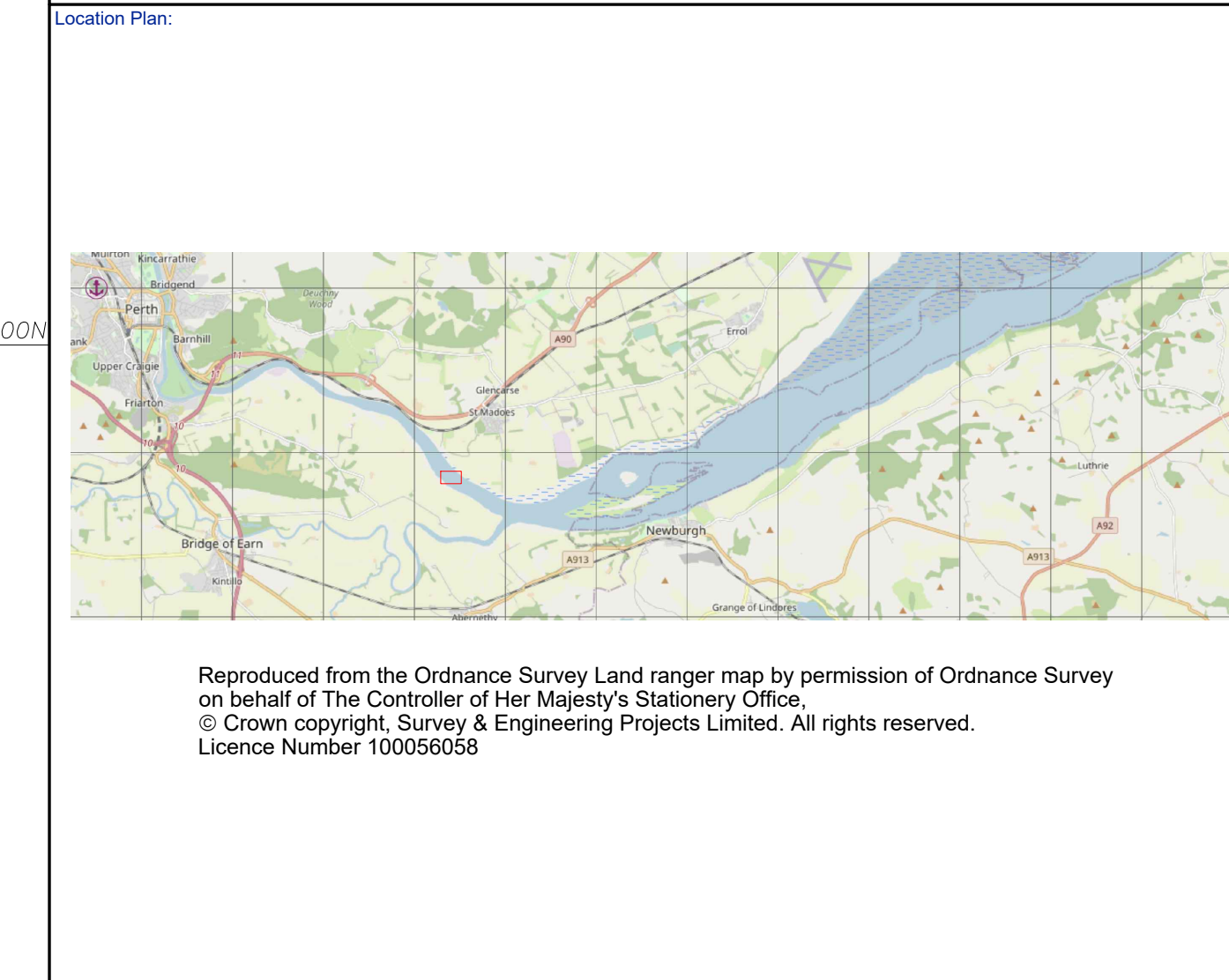
Legend

— 1.5 — Contours at 0.5m intervals relative Chart Datum
 4.1 Heights in metres and decimetres relative Chart Datum

SHADED RELIEF BATHYMETRY SCALE BAR

Depth in metres relative to CD

- Notes:**
1. Positioning provided by a Applanix POS MV Oceanmaster using Trimble VRS Now RTK correction service.
 2. Co-ordinate System: WGS84 UTM30N
 3. Bathymetry data gridded at 0.5m x 0.5m.
 4. Seabed shaded relief, sun illumination: Azimuth 315°, Elevation 45°, Exaggeration x2.
 5. Bathymetry data provided Teledyne RESON T-20P.
 6. Vertical Datum : Chart Datum
 - Chart Datum is 0.62m Below ODN



0	MC	06/11/2020	ND	JRS	Draft
Rev:	Drawn	Date	Checked	Approved	Details
Survey Date:	10/09/2020-19/09/2020		Surveyor: JS		Drawn By: MC

Client:

Perth Harbour
 Friarton Road
 Perth
 PH2 8BB
 T: 01738 624056
 E: perth.harbour@calmac.co.uk

Contractor:

SEP Hydrographic Limited
 Unit 3D
 Selby Place
 Skelmersdale
 Lancashire
 WN8 8EF
 T: 01695 729 835
 E: info@sephydrographic.com
 I: www.sephydrographic.com

Contract:

PERTH HARBOUR & RIVER TAY
 SHADED RELIEF BATHYMETRY

DWG:

RIBNY BEACON
 SHADED RELIEF BATHYMETRY